

JK-T373

零件样本

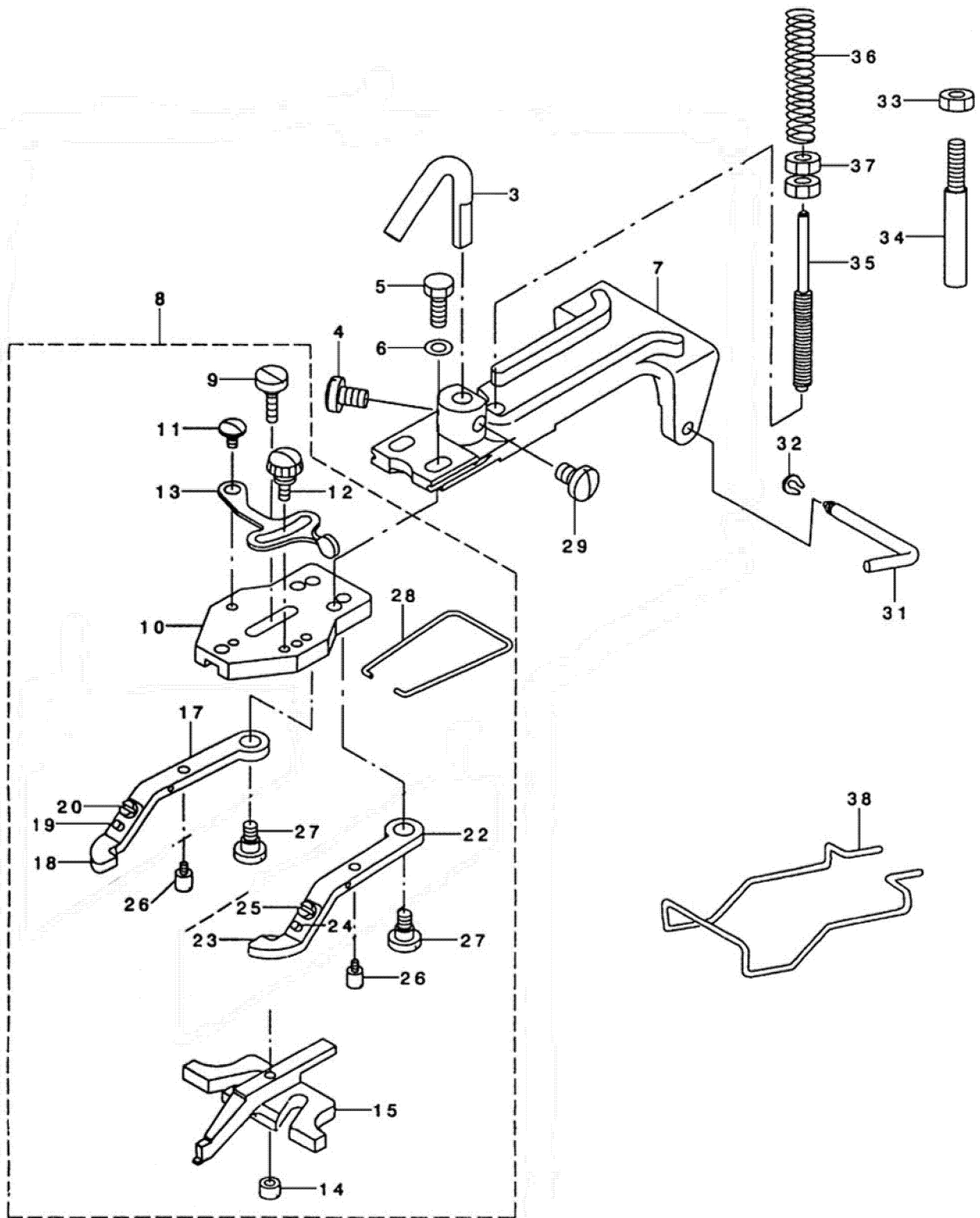
PARTS BOOK

**New JACK Sewing
Machine**

2013 年 4 月版

Revised edition in April, 2013

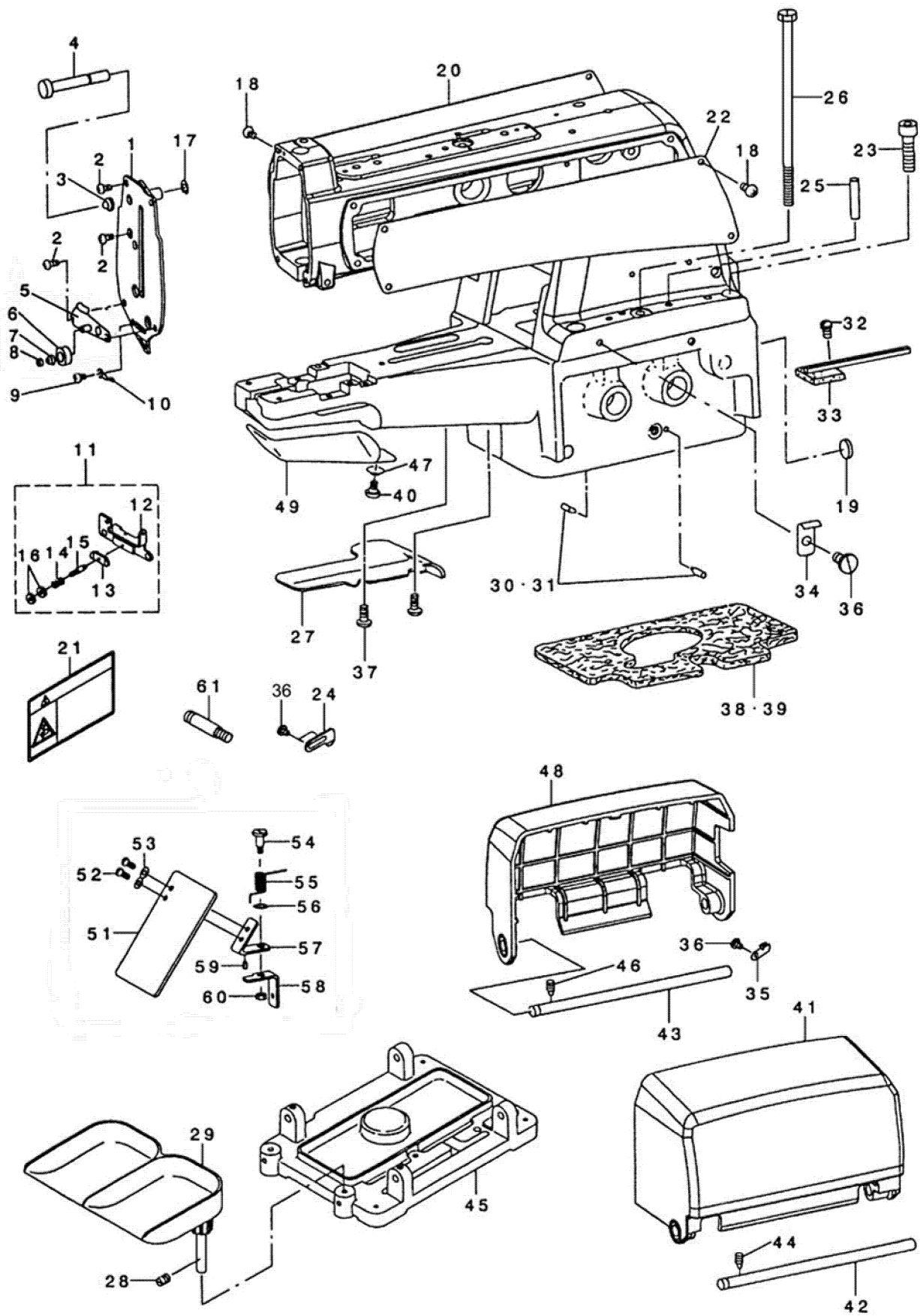
一、钮钳机构部件/Button clamp mechanism components



第一部件 钮夹部件

序号	零件件号	名称	数量	同类编号	Description
1	××××	钮扣钳组件	1	B2547-372-0BA	Flat button clamp asm.
3	40902001	钮针提升杆	1	B2546-372-000	Button clamp lifing rod
4	412S14002	固定提升杆的螺钉	1	SS-7150940-SP	Screw 15/64-28 L=9
5	409S12001	用于钮钳座的螺钉	2	SS-9621413-SP	Screw 3/16-32 L=13.5
6	40928001	垫圈	2	WP-0501016-SD	Washer 5×10.5×1
7	300145	钮钳座	1	B2542-372-00A	Button clamp holder
8	4091200100	钮钳杆座组件	1	B2547-372-0C0	Jaw lever holder asm.
9	409S20001	用于钮钳座的的合叶螺钉	1	SD-0550301-SP	Hinge screw D=5.5 H=1.8
10	40912002	钮钳杆钳座	1	B2547-372-000	Jaw lever holder
11	409S20002	用于钮钳座的合叶螺钉 (B)	1	SD-0550181-SP	Hinge screw D=5.5 H=1.8
12	409S20003	用于止动杆的夹紧螺钉	1	B2549-372-000	Clamp screw A
13	40912003	钮钳止动杆	1	B2548-372-000	Snap fastener clamp stop lever
14	409S16001	合叶螺母	1	B2553-372-000	Nut
15	40901003	钮钳片	1	B2552-372-000	Button clamp slide
16	4091200400	钮钳杆钳左组件	1	B2555-372-0A0	Button clamp lever jaw, left A
17	40912005	钮钳杆钳 (左)	1	B2555-372-000	Button clamp lever jaw(left)
18	40912006	钮钳支撑弹簧 (左)	1	B2556-372-000	Button holding spring left
19	P03007	销2.5×6	1	----	Button clamp locating pin
20	409S11002	用于钮钳座弹簧的螺钉	1	SS-7090410-SP	Screw 9/64-40 L=3.5
21	4091200700	钮钳杆钳右组件	1	B2557-372-0A0	Button clamp lever jaw, right
22	40912008	钮钳杆右钳 (右)	1	B2557-372-000	Button clamp lever jaw(right)
23	40912009	钮钳支撑弹簧 (右)	1	B2558-372-000	Button holding spring right
24	P03007	销2.5×6	1	----	Button clamp locating pin
25	409S11002	用于钮钳座弹簧的螺钉	1	SS-7090410-SP	Screw 9/64-40 L=3.5
26	409S20004	钮钳止动销	2	B2560-372-000	Button clamp stop pin
27	409S20005	用于杆钳的合叶螺钉	2	SD-0640391-TP	Hinge screw D=6.35 H=3.9
28	40927001	钮钳弹簧	1	B2561-372-000	Button clamp spring
29	412S14002	固定提升杆的螺钉	1	SS-7150940-SP	Screw 15/64-28 L=9
31	40902002	合叶销	1	B2540-372-000	Hinge pin
32	H05007	开口挡圈3	1	GB/T896-1986	Snap ring
33	402S16003	用于钮钳塞销的螺母	2	NS-6150430-SP	Nut 15/64-28
34	409S30001	钮钳塞销	1	B2543-372-000-A	Pick-up device stopper pin
35	409S30002	钮钳调压杆	1	B2544-372-000	Button clamp pressure adjuseting
36	40927002	调压弹簧	1	B2545-372-000	Pressure adjusting spring
37	409S16003	用于钮钳调压杆的螺母	2	NS-6660511-SP	Nut 1/4
38	40927003	手指保护架	1	B3130-372-000-B	Finger guard

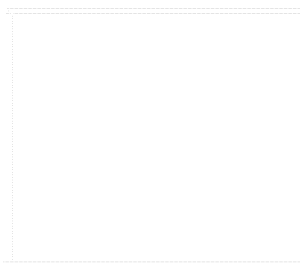
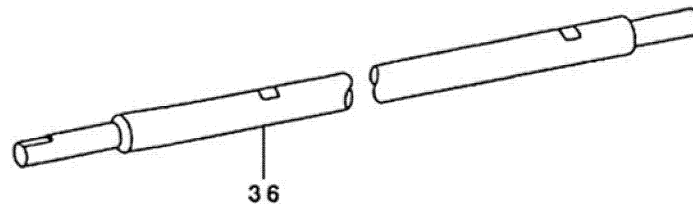
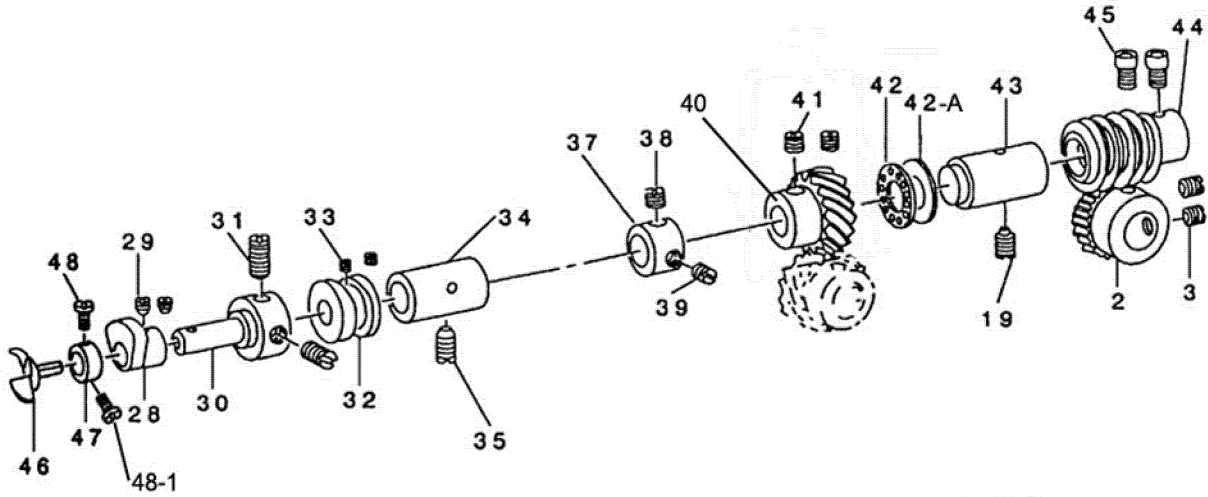
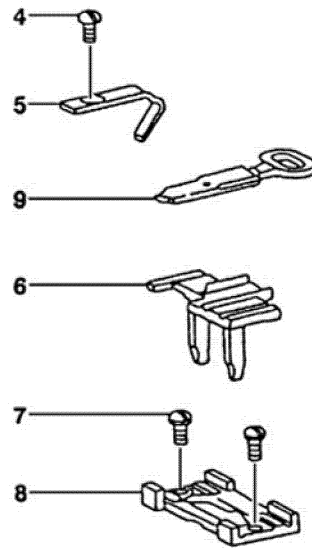
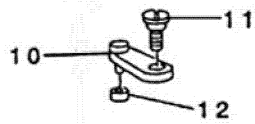
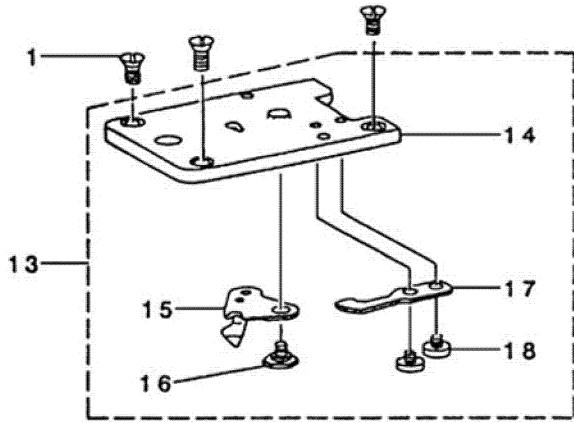
二、机壳部件/Arm & miscellaneous cover components



第二部件 机壳部件

序号	零件件号	名称	数量	同类编号	Description
1	4091201000	面板组件	1	B260-38752	Face plate
2	409S11003	螺钉	4	SS-4120915-SP	Screw 3/16-28 L=9
3	40927004	弹簧	1	B3149-123-A00	Tension sprig
4	40902003	夹线螺栓	1	B3127-372-000	Nipper releasing stud
5	4091201200	第三夹线导向组件	1	260-01164	Nipper releasing guide NO.3 asm.
6	40913001	第三夹线底座	2	260-01404	Nipper releasing dics NO.3
7	40927004	第三夹线弹簧	1	260-01305	Nipper releasing spring NO.3
8	H05007	开口挡圈3	1	----	E-ring 3
9	409S11004	螺钉	1	SS-7110340-SP	Screw 11/64-40 L=3.2
10	40913002	第四线导向装置	1	B3108-372-000	Thread guide NO.4
11	××××	第三夹线组件	1	B3109-372-0A0	Thread tension NO.3 asm.
12	××××	第三夹线调节底座	1	178-02216	Tension adjusting base NO.3
13	××××	线调压板	1	101-29104	Thread presser plate
14	××××	夹线弹簧B	1	B1136-850-000	Tension sprig B
15	××××	夹线螺栓	1	250-02809	Thread tension stud
16	××××	夹线螺母	1	250-02808	Thread tension nut
17	H05007	开口挡圈3	1	----	E-ring 3
18	409S11003	螺钉	8	SS-4120915-SP	Screw 3/16-28 L=9
19	××××	接地标记		100-04109	Ground mark
20	300146	左盖板	1	260-12104	Side plate, left
21	20131063	安全标牌	1	CM-3002001-B1	Safety label 12
22	300147	右盖板	1	260-12005	Side plate, right
23	S05024	螺钉M8×30	4	SM-6083042-CH	Screw M8 L=30
25	P02002	销6×32	2	----	Guide pin
26	409S30003	连接螺栓	1	B1128-372-000	Set screw
27	40912016	底座防油罩	1	B1119-373-000	Bed oil shield
28	412S14002	螺钉	2	SS-8150710-SP	Screw 15/64-28 L=7
29	4091100100	纽扣盘组件	1	1780-18458	Button tray asm.
30	40926002	凸轮指示销	1	B2504-372-00A	Cam indicating pin
31	40926002	凸轮指示销	1	B2504-372-00A	Cam indicating pin
32	409S11005	螺钉	1	SS-7110840-SP	Screw 11/64-40 L=7.8
33	40923001	油毡	1	B3503-372-0A0-A	Oil supply felt
34	40912017	盖板卡簧	1	B1127-372-000-A	Side cover spring
35	40912017	盖板卡簧	1	B1127-372-000-A	Side cover spring
36	409S11006	螺钉	2	SS-7120640-SP	Screw 3/16-28 L=6
37	409S11007	螺钉	2	SS-4110815-SP	Screw 11/64-40 L=8
38	40923002	滴油毡 A	1	B1104-372-A00	Oil drip felt (A) 5MM
39	××××	滴油毡B		B1104-372-B00	Oil drip felt (A) 7MM
40	409S20006	螺钉	1	SD-0600271-SP	Hinge screw D=6
41	40911003	右滑轮盖	1	260-11502	Side cover, right
42	40902005	滑轮盖合叶杆	1	B1110-372-000	Side cover hinge shaft
43	××××	滑轮盖合叶杆	1	B1110-377-000	Side cover hinge left
44	412S14002	螺钉	2	SS-8150710-SP	Screw 15/64-28 L=7
45	40901004	机器次底座	1	B1103-372-000	Machine sub-base
46	412S14002	螺钉	2	SS-8150710-SP	Screw 15/64-28 L=7
47	40228001	弹簧垫圈	3	WS-0650389-KP	Spring washer 6.5×14×17
48	40911004	左盖	1	260-11403	Side cover left
49	40912018	底座活动盖	1	260-03608	Looper cover
50	××××	安全板组件	1	B3115-372-000	Safety plate asm.

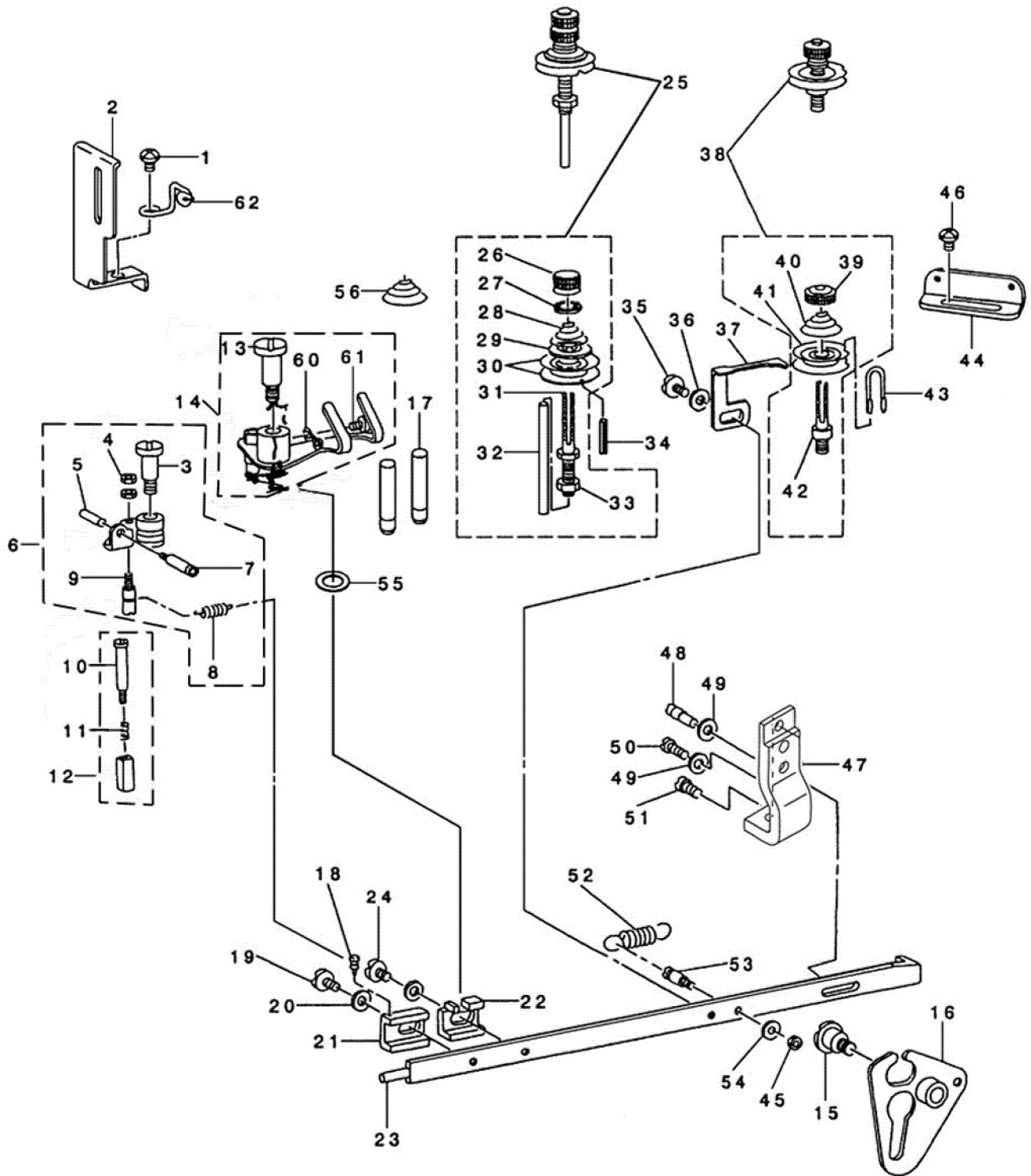
三、上轴机构部件/Looper shaft mechanism components



第三部件 上轴机构部件

序号	零件件号	名称	数量	同类编号	Description
1	409S11009	螺钉	3	SS-2110920-TP	Screw 11/64-40 L=8.5
2	40925001	凸轮轴从动齿轮	1	B1220-372-000	Cam shaft driven gear
3	409S14001	螺钉	2	SS-8660612-TP	Screw 1/4-40 L=6
4	409S11010	螺钉	1	SS-7110840-SP	Screw 11/64-40 L=7.8
5	40912021	导向线杆（打捆针导向器）	1	B1242-373-000	Needle guard
6	40909001	插入导向滑板（手指定位軛铁）	1	B1236-373-000	Positioning finger yoke slide
7	409S17001	螺钉	2	SS-1110710-SP	Screw 11/64-40 L=7.8
8	40909002	导向卡箍（压铁插孔）	1	B1235-373-000	Yoke slide insert
9	40912022	滑块（軛铁片）	1	B1237-373-000	Yoke slide
10	4090500100	环线定位杆组件	1	B1230-372-0A0	Loop positioning finger lever
11	409S20008	螺钉	1	SD-0640241-SP	Hinge screw D=6.35 H=2.4
12	40903003	滚环	1	B1232-372-000	loop positioning finger lever
13	××××	喉板组件	1	B1241-372-0B0	Throat plate asm.
14	40901005	喉板	1	B1241-373-000	Throat plate
15	4091900100	可动刀组件	1	B2406-373-000	Moving knife asm.
16	409S20009	螺钉	1	SD-0600095-TH	Hinge screw D=6 H=0.85
17	40919003	固定刀片	1	B2410-373-000	Counter knnife
18	409S11011	螺钉	2	SS-7080310-SP	Screw 1/8-44 L=3.0
19	401S14001	螺钉	1	SS-8151150-SP	Screw 15/64-28 L=10.5
28	40910001	环形凸轮	1	B1234-372-000	Loop positioning finger cam
29	409S14002	螺钉	2	SS-8110410-TP	Screw 11/64-40 L=3.5
30	40902006	连接轴	1	B1233-372-000	Cam & looper sleeve
31	409S15004	螺钉	2	SS-8110410-TP	Screw 15/94-28 L=4.0
32	40910002	后凸轮	1	B1228-372-000	Loop positioning finger cam re
33	409S14002	螺钉	2	SS-8110310-SP	Screw 11/64-40 L=2.8
34	40903004	前轴套		B1227-372-000	Looper shaft bushing, front
35	401S14001	螺钉	1	SS-8151150-SP	Screw 15/64-28 L=10.5
36	40902007	钩线轴		B1219-372-000-A	Looper shaft
37	40908001	挡圈	1	CS-1111019-SH	Thrust collar D=11.11 W=10
38	409S14003	螺钉	1	SS-8660512-TP	Screw 1/4-40 L=5
39	409S14003	螺钉	1	SS-8660512-TP	Screw 1/4-40 L=5
40	40925002	勾线轴齿轮	1	B1224-372-0A0	Looper shaft driven gear asm.
41	409S14001	螺钉	2	SS-8660512-TP	Screw 1/4-40 L=6
42	40928004	轴承垫圈	1	B1215-372-A00	Thrust ball bearing
42-A	40924001	端面轴承	1	B1215-372-A00	Thrust ball bearing
43	40903005	轴套（后）	1	B1222-372-000	Looper shaft bushing, rear
44	40925003	从动蜗轮	1	B1221-372-000	Driven worm gear
45	409S14001	螺钉	2	SS-6660712-TP	Screw 1/4-40 L=7.0
46	40917001	钩圈	1	B1239-372-000	Looper
47	40908002	挡圈	1	CS-0790721-TH	Thrust collar D=7.94 W=7
48	409S11012	螺钉	1	SS-7090620-TP	Screw 9/64-40 L=6.1
48-1	409S11031	螺钉	1	SS-7090620-TP	Screw 9/64-40 L=3.5

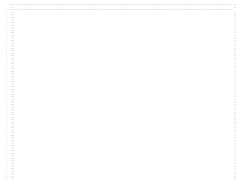
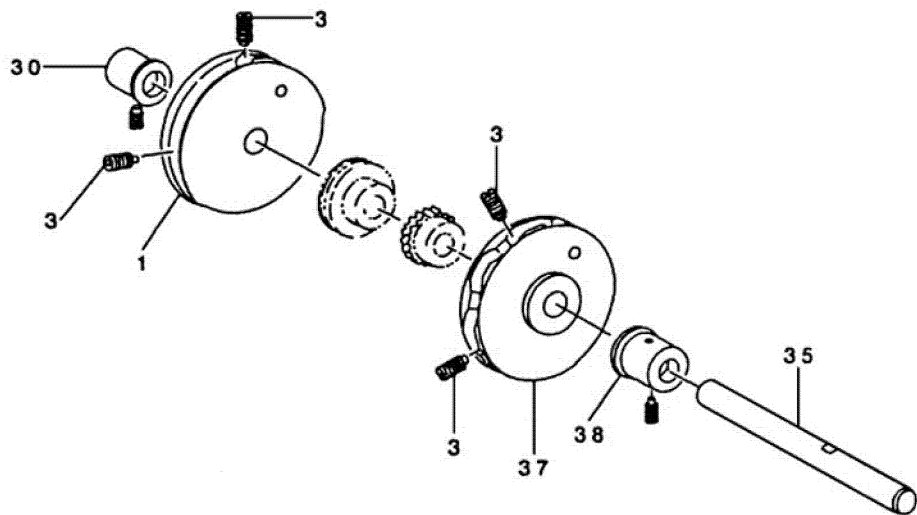
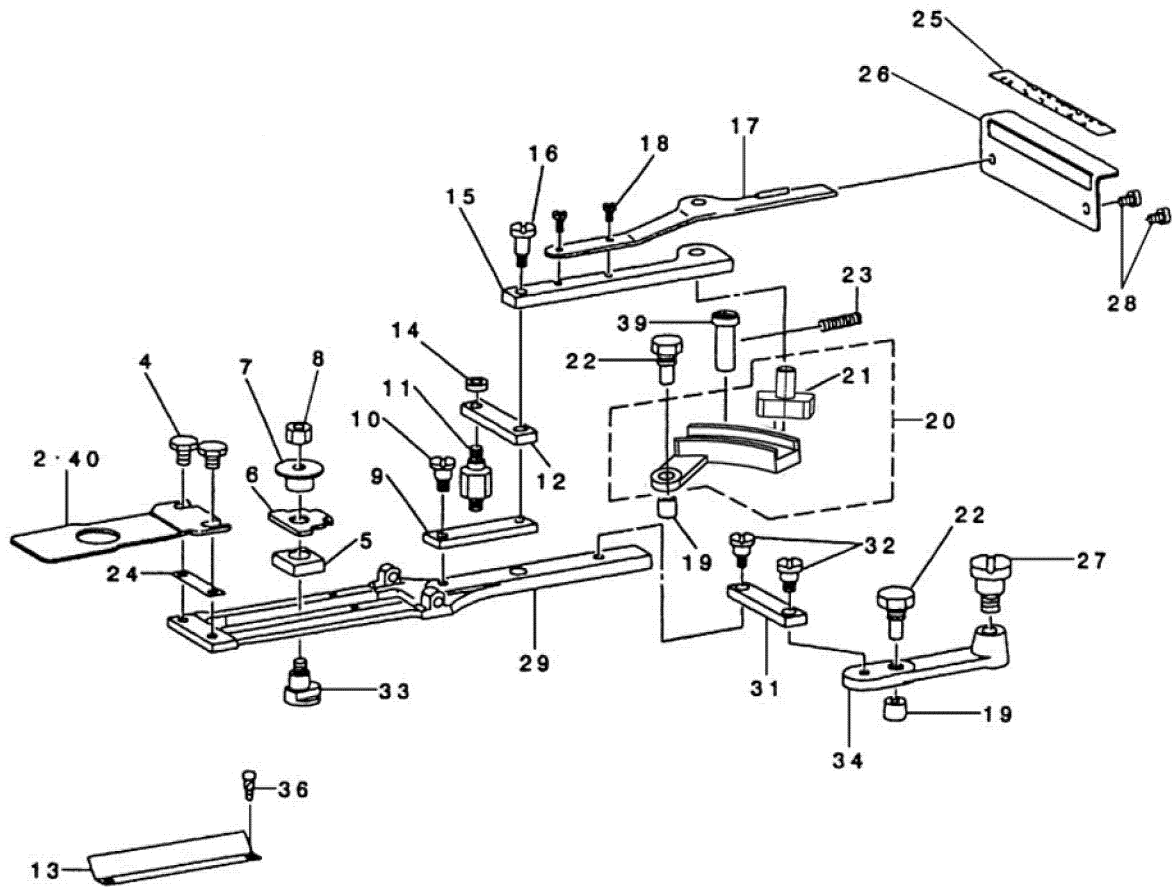
四、绕线和过线部件/Nipper & tension parts components



第四部件 绕线和过线机构部件

序号	零件件号	名称	数量	同类编号	Description
1	409S11013	螺钉	1	SS-4150915-SP	Screw 15/64-28 L=9
2	40912024	针杆护罩	1	B1421-372-000	Needle bar guard
3	409S20010	螺钉	1	SD-0791271-SP	Hinge screw D=7.94 H=12.7
4	409S16005	螺钉	2	NS-6080210-SP	Nut 1/8-44
5	409S16006	放线螺母	1	B2035-372-000	Nut
6	4091202500	导线装置组件	1	260-00950	Nipper compl
7	409S20011	放线螺栓	1	B2034-372-000	Thread releasing screw stud
8	40927007	夹线杆底座弹簧	1	B2037-372-000	Nipper bar block spring
9	409S30004	夹线杆底座弹簧螺钉	1	B1236-372-000	Nipper bar block spring screw
10	409S20012	螺钉	1	SD-0402001-TP	Hinge screw D=4 H=20
11	40927008	夹线座弹簧	1	B2029-372-000	Nipper block spring
12	40909003	夹线座	1	B2028-372-000	Nipper block
13	409S20013	螺钉	1	SD-0791503-SP	Hinge screw D=7.94 H=15
14	4091300400	引线杆组件	1	260-01560	Thread pull-off lever asm.
15	409S20014	驱动杆螺栓	1	SD-0790802-SP	Hinge screw D=7.94 H=8
16	4091202700	夹线杆驱动板组件	1	260-00455	Nipper bar actuating lever asm.
17	40926006	导线杆	2	B2024-372-000-A	Thread guide pin
18	40926007	夹线杆底座弹簧销	1	B2012-372-000	Nipper bar block spring pin
19	409S11014	螺钉	1	SS-6120930-TP	Screw 3/16-28 L=9
20	40928004	垫圈	2	WP-0501016-SD	Washer 5×10.5×1
21	40912029	夹线杆底座	1	B2011-372-000	Nipper bar block
22	40912030	夹线杆底座(后)	1	B2010-372-000	Tension lever rocking piece
23	40912031	夹线杆	1	260-01909	Nipper bar
24	409S11014	螺钉		SS-6120930-TP	Screw 3/16-28 L=9
25	4091300600	2号夹线杆组件	1	B2019-372-0A0	Tension post asm. NO.2
26	409S16007	调节螺母	1	B3116-372-000	Tension nut
27	40912032	夹线制动板	1	229-214070	Rotation stopper
28	40927009	2号夹线压力弹簧	1	B2021-372-000	Thread tension spring NO.2
29	40912033	夹线提升垫片	1	B3132-012-000	Tension disc holder
30	40913007	夹线圆盘	2	B2016-372-000	Tension disc
31	409S30006	2号夹线杆	1	B2019-372-000	Tension post NO.2
32	40926008	松线辅钉	1	B2020-372-000	Tension relese pin
33	409S16008	平衡轴螺母	1	NS-6160520-SP	Nut 1/4-24
34	P03009	销2×16	1	PS-0300162-KH	Spring pin 3×6
35	409S11014	螺钉	1	SS-6120930-TP	Screw 3/16-28 L=9
36	40928004	垫圈	1	WP-0501016-SD	Washer 5×10.5×1
37	40912034	释压杆	1	B2029-372-000	Thread tension releasing lever
38	4091300800	1号夹线器组件	1	260-05157	Thread tension asm. (NO.1)
39	409S16009	夹线螺母	1	B3125-012-000	Thread tension nut
40	40927010	1号夹线弹簧	1	B2017-372-000	Tension spring NO.1
41	40913007	夹线圆盘	2	B2016-372-000	Tension disc
42	409S30007	1号夹线器轴	1	B2015-372-000	Thread tension staff NO.1
43	40913009	导线钩		B2014-372-000-A	Thread guide pin
44	40913010	二眼线板	1	B2039-373-000	Thread guide NO.1
45	409S16010	螺母	1	NS-6080340-SP	Nut 1/8-44
46	409S11013	螺钉		SS-4150915-SP	Screw 15/64-28 L=9
47	40912035	夹线杆滑块	1	B2005-372-000	Nipper bar bearing block
48	409S30008	调节螺钉	1	B2006-372-000	Adjusting screw
49	40928005	垫圈	2	WP-0480856-SP	Washer 4.8×8.4×0.8

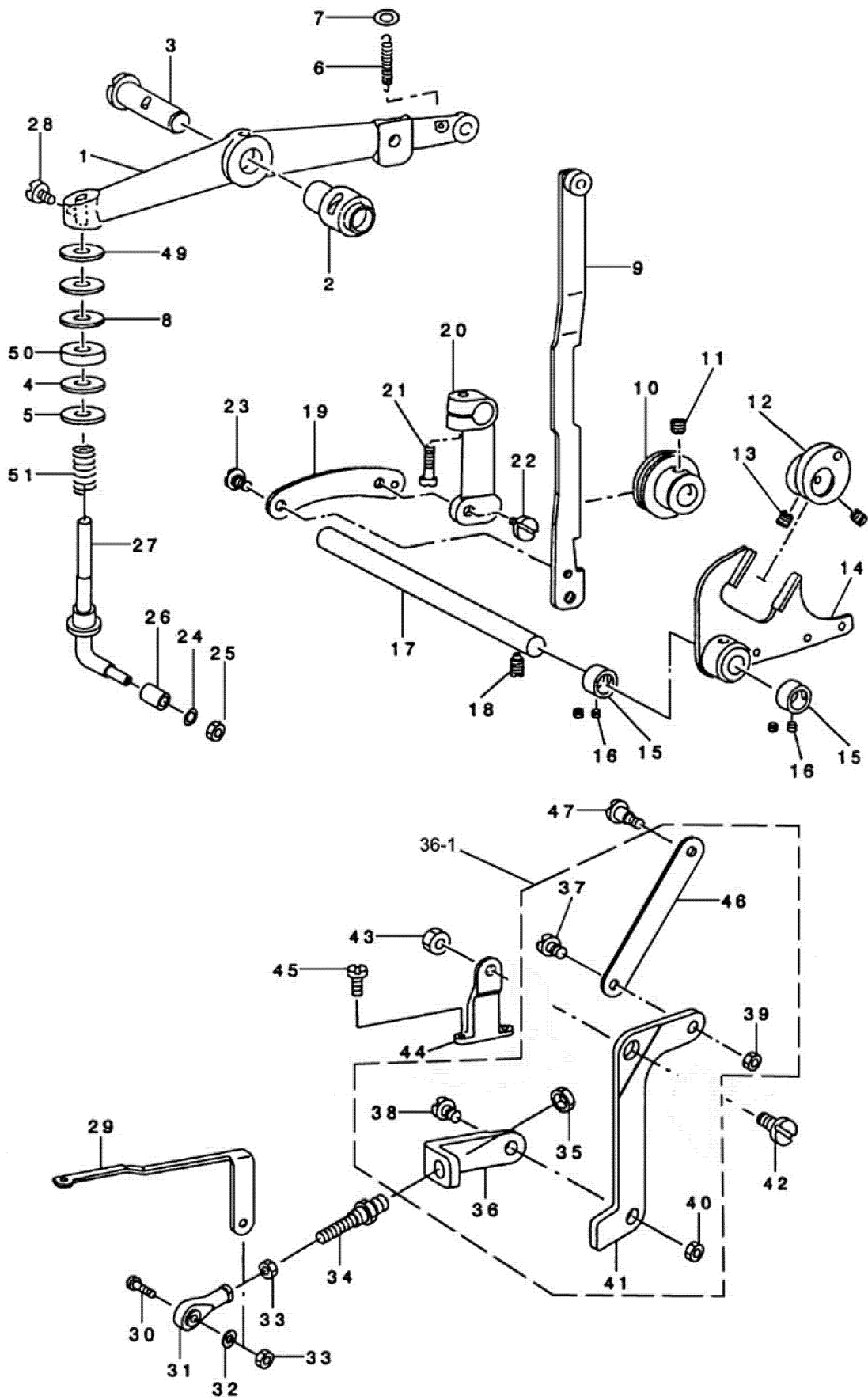
五、送料盘部件/Feed plate components



第五部件 送料盘机构部件

序号	零件件号	名称	数量	同类编号	Description
1	40910005	纵向送料凸轮(十字)	1	----	Longitudinal feed cam
1-1	40910004	纵向送料凸轮(一字)	1	B2506-373-000-A	Longitudinal feed cam
2	40915001	钮扣送料板	1	B2529-373-000	Feed plate, small button
3	409S14005	螺钉	4	SS-8681412-TP	Screw 9/32-28 L=13.5
4	409S12003	螺钉	2	SS-9120643-TP	Screw 3/16-28 L=6
5	40909004	指示器销滑块	1	B2524-372-000	Indicator pin bearing block
6	40912036	交叉送料指示器	1	B2525-373-N00	Crosswise feed indicator
7	40903010	指示器销	1	B2526-372-000	Crosswise feed indicator pin
8	409S16012	螺母	1	NS-6160520-SP	Nut 1/4-24
9	400110	滑板连接杆	1	B2518-372-000-A	Slide plate connecting link
10	409S20015	合叶螺钉	1	SD-0640481-SP	Hinge screw D=6.35 H=9.6
11	409S30010	双头螺栓	1	B2521-372-000	Stud
12	40909006	连接杆	1	B2519-372-000	Intermedi connecting link
13	40937001	交叉送料刻度盘	1	B2528-372-000-A	Crosswise feed graduated link
14	409S16013	螺母	1	NS-6120630-SP	Nut 3/16-28
15	4091203700	手柄及指示器弹簧手柄	1	B2513-372-000	Indicator spring connecting link
16	409S20016	合叶螺钉	1	SD-0640961-SP	Hinge screw D=6.35 H=9.6
17	40912039	送料调节手柄	1	B2515-372-000	Handle & indicator spring
18	409S11018	螺钉	2	SS-4090615-SP	Screw 9/64-40 L=6
19	40903012	凸轮滚碾	2	B2507-372-000	Cam roll
20	40909007	纵向送料杆滑块座	1	B2511-372-0A0	Lengthwise feed lever asm.
21	40909008	纵向送料杆滑块	1	B2512-372-000	Lengthwise feed lever slide block
22	409S30011	凸轮滚碾螺栓	2	B2508-372-000	Cam roll screw stud
23	409S15005	螺钉	1	SS-8152030-SP	Screw 15/64-28 L=6
24	40912040	隔离板	1	B2717-377-000	Spacer
25	40937002	纵向送料刻度标盘	1	B2563-372-000	Lengthwise feed graduate plate
26	40937004	纵向送料刻度盘	1	B2564-373-000	Plate base
27	409S20017	螺钉	1	SD-0791051-SP	Hinge screw D=7.94 H=10.5
28	409S11003	螺钉	2	SS-4120615-SP	Screw 3/16-28 L=6
29	40901006	滑板	1	B2522-373-000-A	Feed plate
30	40903013	凸轮轴左轴衬	1	B2503-372-000	Cam shaft bushing, left
31	40909006	连接杆	1	B2519-372-000	Intermedi connecting link
32	409S20015	合叶螺钉	2	SD-0640481-SP	Hinge screw D=6.35 H=4.8
33	409S30012	合叶螺钉	1	B2523-372-000	Hinge screw for crosswise feed
34	40901007	交叉送料杆	1	B2510-372-000-A	Crosswise feed lever
35	40902008	凸轮轴	1	B2501-372-000-A	Cam shaft
36	R01002	铆钉2×4	2	GB/T863.1-1986	Rivet
37	40910006	交叉送料凸轮	1	B2505-373-000-A	Lateral feede cam
38	40903015	凸轮轴右轴衬	1	B2502-372-000	Cam shaft bushing, right
39	40926010	杆销	1	B2509-372-000-A	Feed plate medium size button

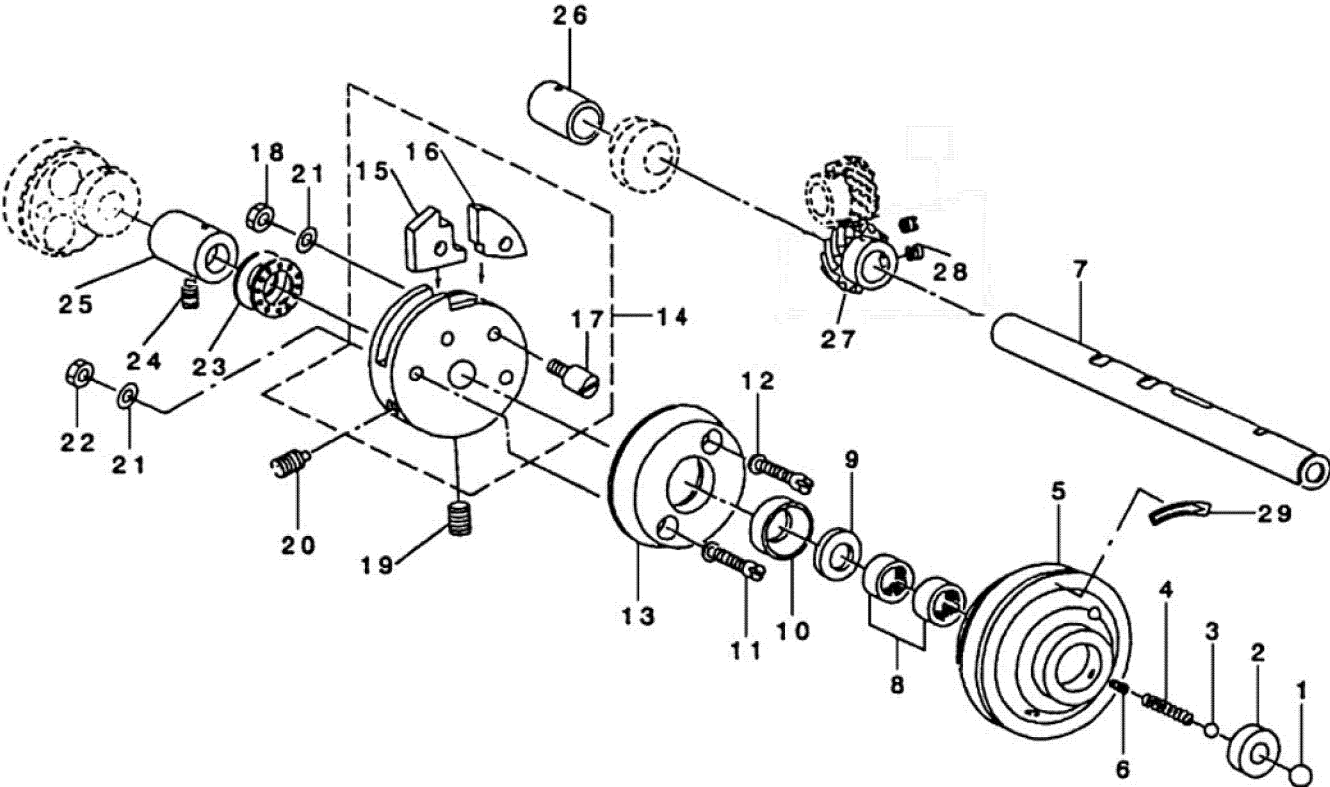
六、钮钳提升部件/Button clamp lifter components



第六部件 钮钳提升部件

序号	零件件号	名称	数量	同类编号	Description
1	40901008	钮钳提升杆	1	B4412-373-000-A	Lifting lever
2	40903016	轴衬	1	B1407-372-000	Bushing
3	40902009	提升杆轴	1	B1408-372-000	Lifting lever shaft
4	××××	垫圈	1	----	Washer 7.5×19×1.5
5	××××	垫圈	1	----	Washer 8.5×22×1.8
6	40927012	夹线杆动作杆弹簧	1	B4419-372-000	Nipper bar actuating lever spring
7	40912032	夹线制动板	1	229-214070	Washer
8	××××	垫圈	1	----	Washer 7×20×4
9	40912041	钮钳提升连杆	1	B4411-372-000	Button clamp lifting link
10	40903018	滑动滚筒	1	B4410-372-000	Slide roller
11	409S14001	螺钉	2	SS-8660612-TP	Screw 1/4-40 L=6
12	40910007	偏心轮组件	1	260-03301	Eccentric cam asm.
13	409S14001	螺钉	2	SS-8660612-TP	Screw 1/4-40 L=6
14	4090900900	钮钳提升连杆驱动离心组件	1	B4401-372-000	Button clamp lifting link
15	40908003	止推环(挡圈)	2	CS-090816-SH	Thrust collars D=9.5 W=8
16	409S14002	螺钉	4	SD-0600095-TH	Screw 11/64-40 L=3.5
17	40902010	驱动轴	1	B4404-372-000-A	Lever shaft
18	401S14001	螺钉	1	SS-8151150-SP	Screw 15/64-28 L=10.5
19	40905003	钮钳提升杆连杆	1	B4408-372-000	lifting link connecting link
20	40904001	啮合钮钳提升连接杆	1	B4406-372-000-C	Lifting plate guide rod
21	409S11020	螺钉	1	SS-6121610-TP	Screw 3/16-28 L=15.5
22	409S20015	合叶螺钉	1	SD-0640481-SP	Hinge screw D=6.35 H=4.8
23	409S20019	合叶螺丝	1	SD-0640211-SP	Hinge screw D=6.35 H=2.1
24	40928014	垫圈	1	B8220-804-000	Washer 7×20×3.5
25	409S16014	螺母	1	WP-0480856-SP	Nut
26	40903020	钮钳提升杆滚筒	1	B4417-372-000	Button clamp lifting rod roll
27	4090201100	钮钳提升杆钩组件	1	260-00653	Button clamp lifting rod compl
28	S05023	螺钉M6X10	1	GB/T70-1985	Screw M6 L=10
29	40912042	前切线连接杆	1	B2404-373-R00	Connecting link, front
30	L01002	螺栓M5×8	1	B2413-373-000	Joint stud
31	4030500500	送料调节连接体组件	1	B1632-180-000	Feed adjusting joint
32	40928010	垫片	1	WP-0510516-SD	Washer 5.1×7.5×0.5
33	N01004	螺母M5	2	NM-6050001-SP	Nut M5
34	409S30013	连接螺钉	1	B2412-373-000	Connecting link, rear
35	409S16015	螺母	2	NS-6680410-SP	Nut 9/32-28
36	40912043	后切线连接杆	1	B2503-373-000-A	Connecting link, rear
36-1	4091204300	后切线连接杆组件	1	B2503-373-000-A	Connecting link asm.
37	409S20020	合叶螺丝	1	SD-0640323-TP	Hinge screw D=6.35 H=3.2
38	409S20021	合叶螺丝	1	SD-0790402-TP	Hinge screw D=7.94 H=4
39	409S16016	螺母	1	NS-6620310-SP	Nut 3/16-32
40	409S16017	螺母	1	NS-6150310-SP	Nut 15/64-28
41	40912044	切线杆	1	260-02006	Thread trimming lever
42	409S20022	合叶螺丝	1	SD-0790311-TP	Hinge screw D=7.94 H=3.1
43	409S16018	螺母	1	NS-6110420-SP	Nut 11/64-40
44	40901009	切线杆底座	1	B2405-373-000	Thread trim base
45	409S11021	螺钉	2	SS-7111410-TP	Screw 11/64-40 L=14
46	40905006	切线连杆	1	B2401-373-000	Thread trimming link
47	409S20023	合叶螺丝	1	SD-0641322-TP	Hinge screw D=6.35 H=13.2
49	××××	垫圈	1	----	Washer 7×20×4.5

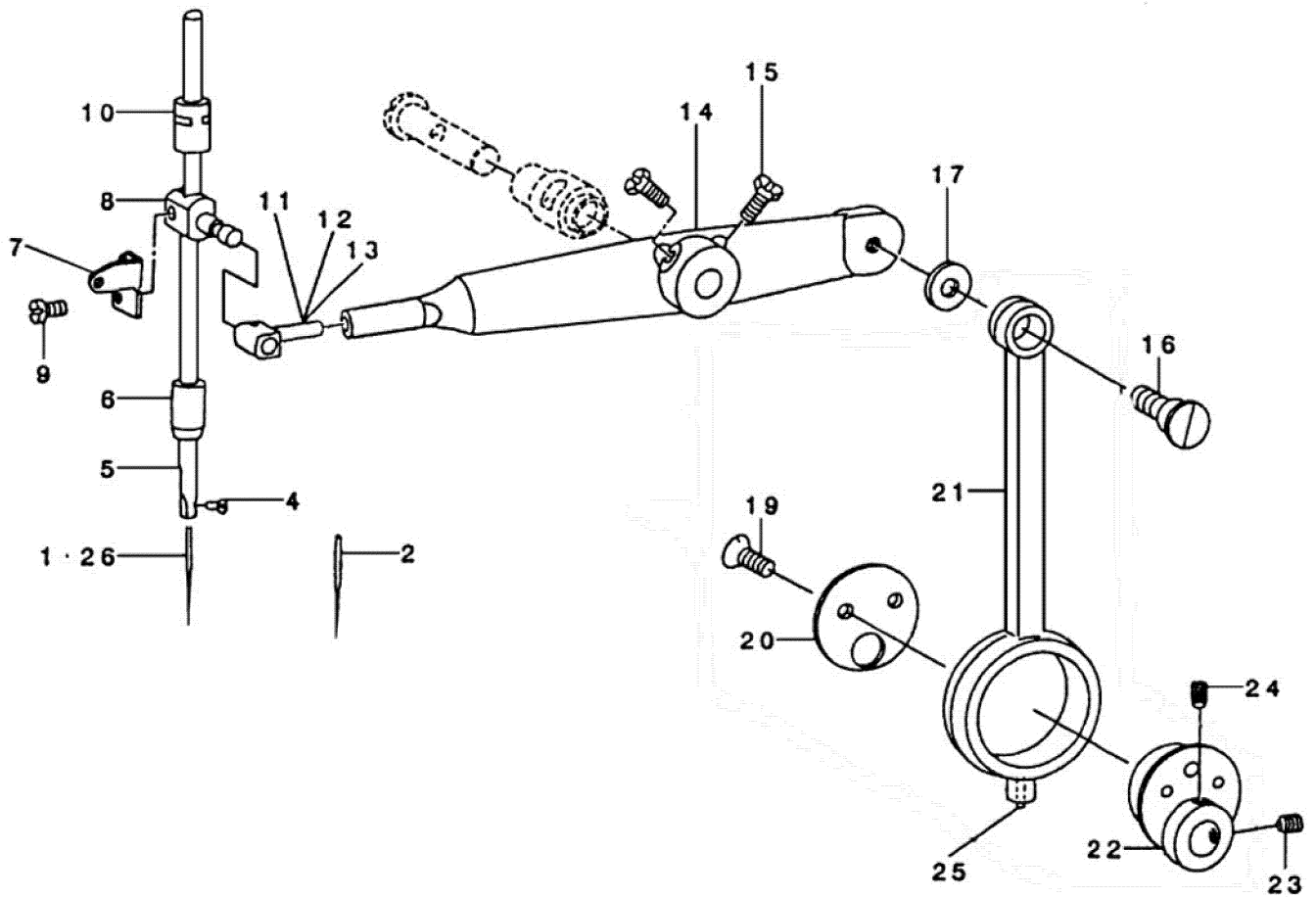
七、推针滑轮轴部件/Needle driving pulley shaft components



第七部件 推针滑轮轴部件

序号	零件件号	名称	数量	同类编号	Description
1	40909011	大滚珠	1	B1203-372-000	Ball large
2	40909012	驱动转筒轴承座	1	B1204-372-000	Pulley insert
3	40909013	小滚珠	1	B1246-372-000	Ball small
4	40927014	弹簧	1	B1205-372-000	Spring
5	40935001	驱针转筒滑轮	1	B1202-372-000	Needle driving pulley
6	409S14002	螺钉	1	SS-8110750-SP	Screw 11/64-40 L=6.5
7	40902013	驱针滑轮轴	1	B1201-373-000	Needle driving pulley shaft
8	40924002	滚针轴承	2	B1243-372-000	Needle bearing
9	40923005	防油毡	1	B1206-372-000	Grease retaining wick
10	40912045	密封垫	1	B1207-372-000	Retaining washer
11	409S11022	螺钉	2	SS-6152440-SP	Screw 15/64-28 L=23.5
12	40928011	垫圈	4	WP-0621026-SP	Washer 6.2×9.5×1
13	4092200200	滑轮离合器组件	1	B1208-372-000	Needle driving pulley clutch D
14-1	4091001300	止动圆盘	1	B1210-372-000	Stop motion disc asm.
15	40909014	止动圆盘止动爪	1	B1211-372-000	Stop motion disc pawl(A)
16	40909015	止动圆盘销	1	B1212-372-000	Stop motion disc pawl(B)
17	409S20024	螺钉	2	B1213-372-000	Screw
18	402S16003	螺母	2	NS-6150430-SP	Nut 15/64-28
19	409S14009	定位螺钉	1	SS-8707042-TP	Screw 5/16-24 L=10
20	409S14010	紧固螺钉	1	SS-8701782-TP	Screw 5/16-24 L=17
21	××××	弹性垫圈	2	WS-0651310-KP	Spring washer 6.5×11×1.3
22	409S16019	螺母	2	NS-6150430-SP	Nut 15/64-28
23	40928004	轴承垫圈	1	B1215-372-A00	Thrust ball bearing
23-1	40924001	端面轴承	1	B1215-372-A00	Thrust ball bearing
24	401S14001	螺钉	1	SS-8151150-SP	Screw 15/64-28 L=10.5
25	40903024	驱动轴右轴套	1	B1216-372-000	Pulley shaft bushing, right
26	40903025	驱动轴左轴套	1	B1223-372-000	Pulley shaft bushing, left
27	40925004	驱动齿轮	1	B1217-372-0A0	Driving gear asm.
28	409S14001	螺钉	2	SS-8660612-TP	Screw 1/4-40 L=6
29	××××	方向标签	1	CM-5022000-01	Direction label

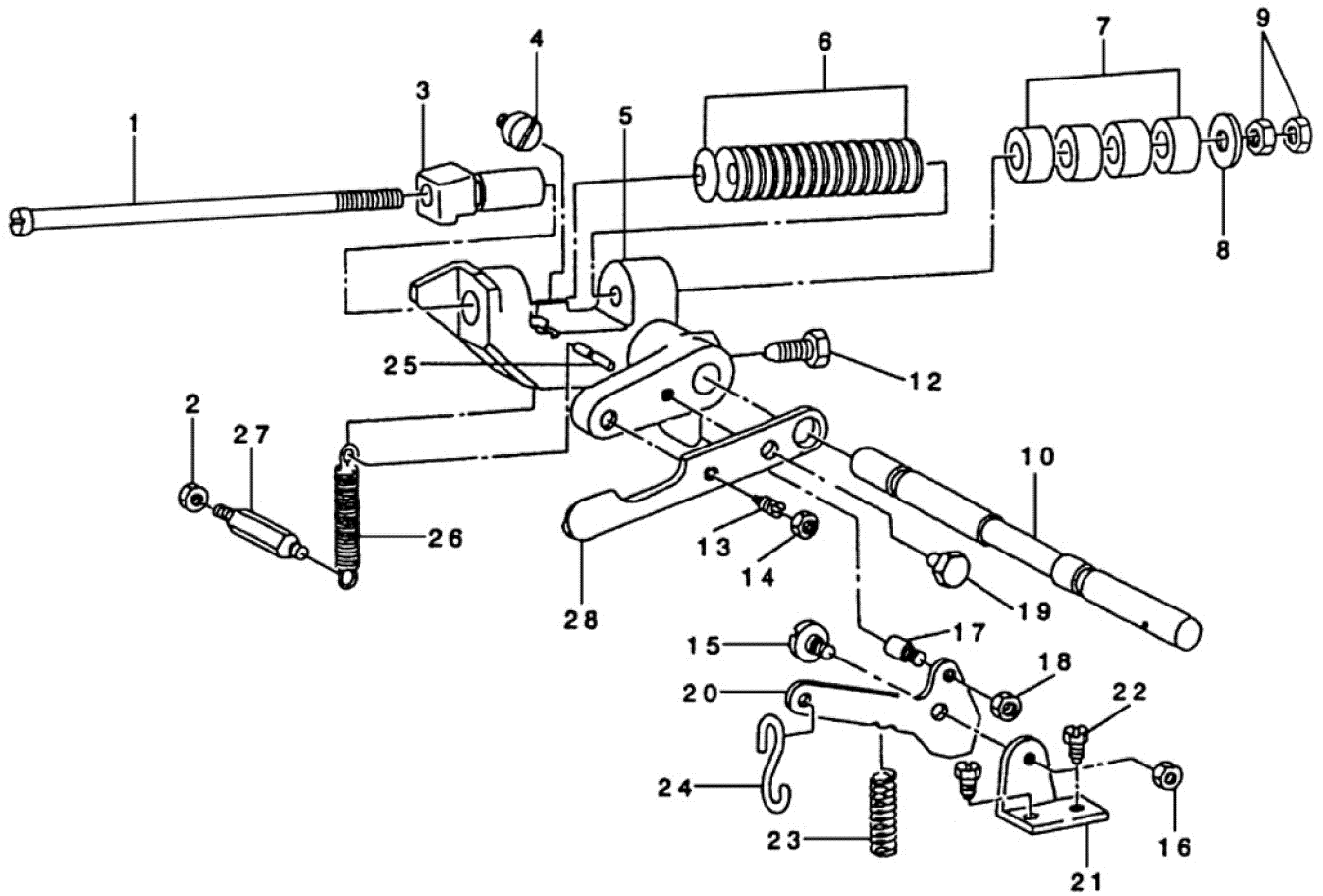
八、针杆驱动机构部件/Needle bar driving mechanism components



第八部件 针杆驱动机构部件

序号	零件件号	名称	数量	同类编号	Description
1	41017004	机针	1	MTQ-700B1800	Needle TQ×7 #16
2	××××	机针	1	MTQ-700B2000	Needle TQ×7 #20
4	101S11006	支针螺钉	1	SS-7080510-TP	Screw 1/8-44 L=4.5
5	40902014	针棒	1	B1401-372-000-A	Needle bar
6	40903026	针棒下轴套	1	B1403-372-000-A	Needle bar bushing lower
7	40913013	导线钩	1	B3112-372-000	Needle bar balance
8	40909016	针棒连接杆	1	B3113-372-000	Needle bar clamp
9	101S11006	螺钉	1	SS-6091210-TP	Screw 9/64-40 L=12
10	40903027	针棒上轴衬	1	B1402-372-000	Needle bar bushing , upper
11	40909017	针棒轴衬座	1	B1406-372-000	Needle bar bushing, block
14	40905007	针杆连杆	1	B1409-372-000-B	Needle bar rocking pipe
15	L02008	螺栓M6×14	2	GB/T5781-1986	Screw M6 L=14
16	409S20025	合叶螺丝	1	SD-0950806-SH	Hinge screw D=9.53 H=8
17	40928013	垫圈	1	B1425-372-000	Waher 5×10.5×1
18	××××	曲柄连杆组件	1	B1424-372-000	Crank rod asm.
19	409S11009	螺钉	2	SS-2110920-TP	Screw 11/64-40 L=8.5
20	40912046	盖板	1	B1423-372-000	Holder
21	40905009	连杆	1	B1424-372-000	Rod
22	40910009	偏心凸轮	1	B1422-372-000	Eccentric cam
23	409S14001	螺钉	1	SS-8660612-TP	Screw 1/4-40 L=6
24	409S14001	螺钉	1	SS-8660612-TP	Screw 1/4-40 L=8.5
25	40923008	油线	1	B1419-372-000	Oil wick
26	41017001	机针	1	MTQ-100B1600	Needle TQ×1 #16

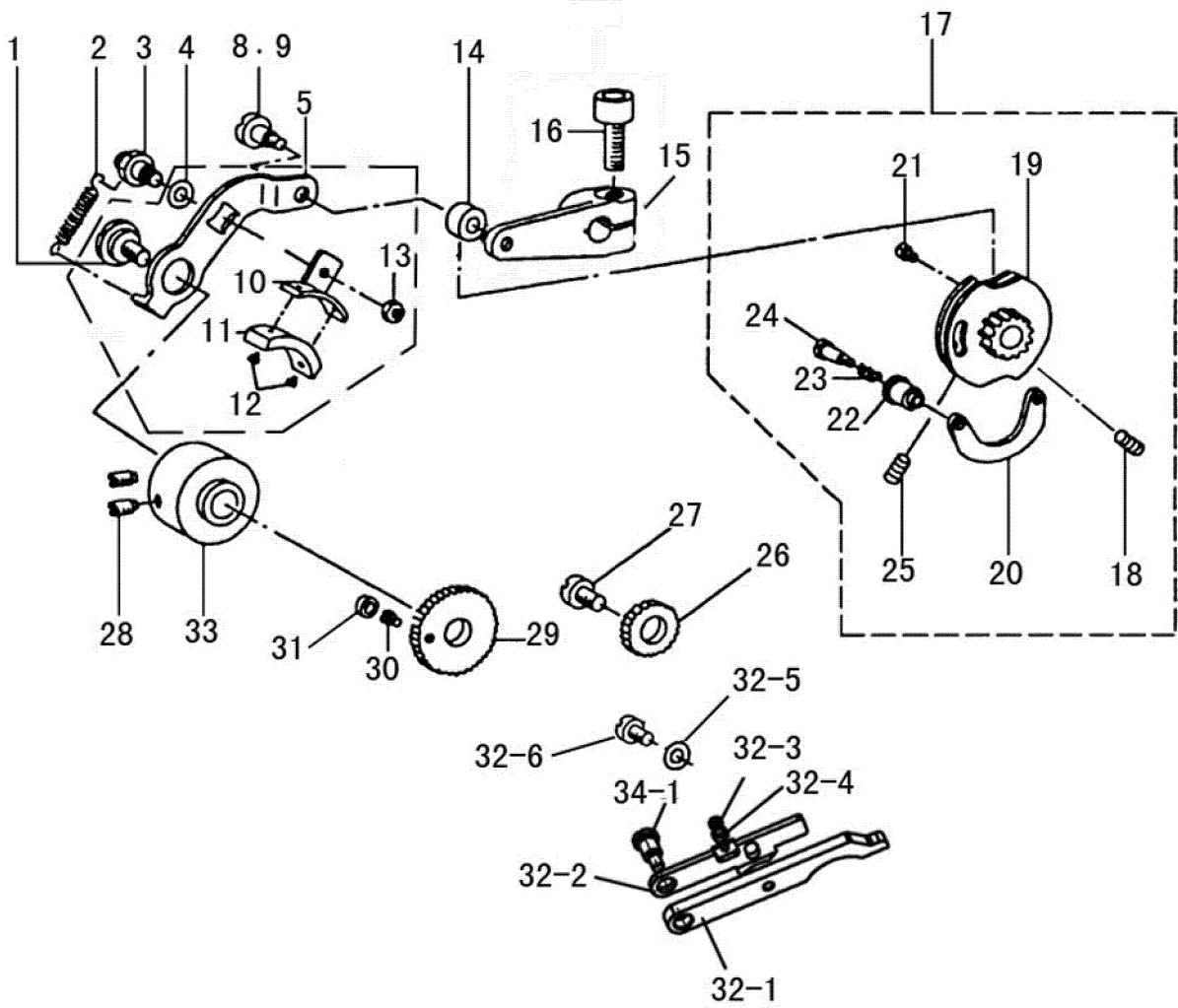
九、止动机构部件/Stop motion mechanism components



第九部件 止动机构部件

序号	零件件号	名称	数量	同类编号	Description
1	409S30014	止动柱螺杆	1	B2605-372-000	Stop motion plunger rod
2	409S16020	螺母	1	NS-6150310-SP	Nut 15/64-28
3	40909018	止动柱	1	B2604-372-000	Stop motion plunger
4	409S11025	螺钉	1	SS-6151040-SP	Screw 15/64-28 L=10
5	400114	止动柱塞杆座	1	B2602-372-000-A	Stop motion plunger lever
6	40928003	弹簧	1	B2606-372-000	Stop motion disc spring
7	40922004	橡胶垫圈	4	B2608-280-000	Rubber cushion
8	40928014	垫圈	1	B8220-804-000	Washer 5×10.5×1
9	409S16021	调节螺母	2	NS-6680410-SP	Nut 9/32-28
10	40902015	止动杆轴	1	B2601-373-N00-A	Stop motion shaft
12	409S12004	螺钉	1	B2603-372-000	Screw
13	409S15009	螺钉	1	SS-8151570-SP	Screw 15/64-28 L=15
14	402S16003	螺母	1	NS-6150310-SP	Nut 15/64-28
15	××××	合叶螺丝	1	SD-0680271-SP	Hinge screw D=6.8 H=2.7
16	××××	螺母	1	NS-6150310-SP	Nut 15/64-28
17	××××	停止螺钉	1	B2615-372-000	Stop screw
18	××××	螺母	1	NS-61500310-SP	Nut 15/64-28
19	L02009	螺栓M6×10	1	SM-9061003-CP	Screw M6 L=10
20	4091204700	止动分离杆组件	1	B2614-372-000	Stop motion trip lever
21	××××	止动分离杆座	1	B2612-372-000	Stop motion trip lever bracker
22	409S12005	螺钉	2	SS-9150860-SP	Screw 15/64-28 L=8
23	40927015	止动分离杆弹簧	1	B2616-372-000	Spring
24	××××	S形链钩	1	B8133-019-000	S shaped hook
25	40926011	止动杆恢复弹簧销	1	B2608-372-000	Stop motion lever spring pin
26	40927016	止动杆恢复弹簧	1	B2609-372-000	Stop motion lever spring
27	409S30015	螺丝栓	1	B2610-372-000	Screw stud
28	40912049	止动圆盘适用压力杆	1	B2611-372-000	Stop motion disc pressure lver

十、选线部件/Stitch selecting parts components



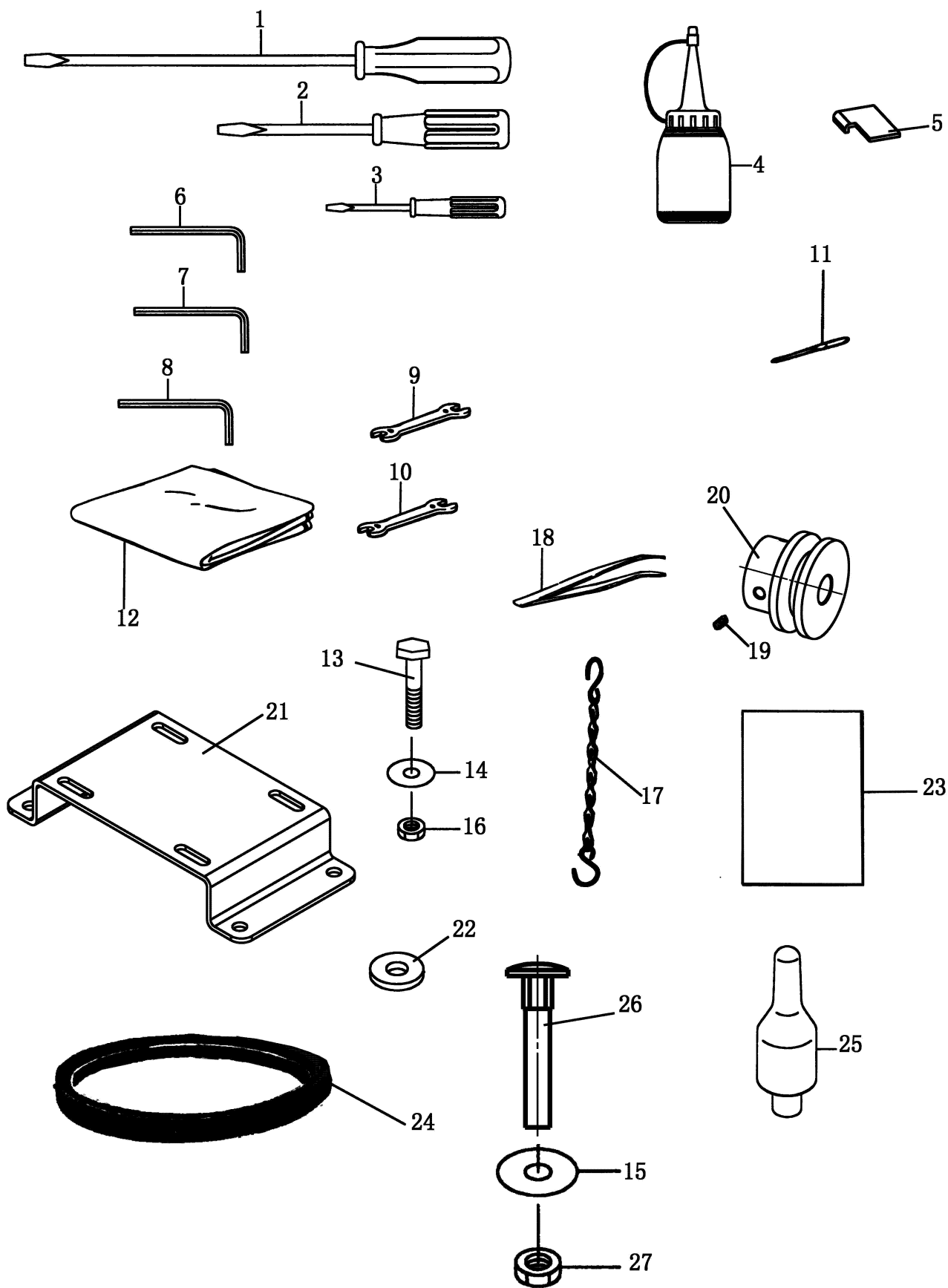
第十部件 选线部件

序号	零件件号	名称	数量	同类编号	Description
1	409S20028	螺钉	1	SD-1127321-SP	Hinge screw D=12.7 H=13.2
2	40927017	摩擦片弹簧	1	B2643-372-000	Spring for friction plate
3	40902016	摩擦片转动轴	1	B2638-372-000-A	Friction plate rotating shaft
4	40928015	垫圈	1	WP-0850002-SP	Washer 8.5×18×1.6
5	4091205500	摩擦片组件	1	----	Speed slowing lever
7	409S20029	螺钉	1	SD-0719331-SP	Hinge screw D=7.94 H=13.3
8	××××	螺钉	1	SD-0719331-SP	Hinge screw D=7.94 H=13.3
10	40912051	摩擦片座	1	B2639-372-000	Friction plate holder
11	40912052	减速摩擦片	1	B2640-372-000	Speed slowing friction plate
12	R01001	铆钉2×6	2	B3211-232-000	Positioning pin
13	409S16023	螺母	1	NS-6110310-SP	Nut 11/64-40
14	40903028	止动分离杆凸缘滚柱	1	B2619-372-000	Stop motion tripping lever cam
15	40904002	止动分离杆	1	B2618-372-0A0-B	Stop motion tripping lever asm.
16	S05024	螺钉M8×30	1	SM-6082502-TP	Screw M8 L=25
17	40910010	止动凸轮组件	1	B2621-372-0B0	Stop motion cam asm.
18	401S14001	螺钉	2	----	Screw 15/64-28 L=9
19	××××	止动凸轮	1	----	Stop motion cam shoe
20	××××	止动凸轮底板	1	----	Stop motion cam shoe
21	××××	止动凸轮固定螺钉	1	----	Screw for stop motion cam shoe
22	××××	止动凸轮旋钮	1	----	Stop motion cam knob
23	××××	弹簧	1	----	Spring
24	××××	螺钉	1	----	Hinge screw D=4.8 H=14.5
25	401S14001	螺钉	2	SS-8150912-TH	Hinge screw D=7.94 H=4.3
26	40925007	选线正齿轮(中间)	1	B2629-372-000	Stitch selecting spur gear, MI
27	409S11026	齿轮轴	1	B2628-372-000-A	Intermediate gear shaft
28	401S14001	螺钉	2	SS-8151150-TP	Screw 15/64-28 L=10.5
29	40925008	选线正齿轮	1	B2630-372-000-A	Gear, large
30	409S11027	螺钉	1	B2631-372-000	Screw
31	40903030	滚圈	1	B2632-372-000-A	Roll
32-1	40912056	选线杆	1	----	Speed slowing friction wheel
32-2	40912057	调整板	1	----	Adjust plate
32-3	402S11009	调整螺钉	1	----	Adjust plate screw
32-4	409S16041	调整螺母	1	----	Adjust plate nut
32-5	40228008	垫圈	1	----	washer
32-6	402S11003	螺钉	1	----	Screw
33	40910012	减速摩擦轮	1	B2635-372-000-A	Spring for friction wheel
34-1	409S20032	螺钉	1	----	Screw

第十一部件 线架部件

序号	零件件号	名称	数量	同类编号	Description
1	10131002	螺丝刀 (大)	1	----	Screw driver, large
2	10131003	螺丝刀 (中)	1	----	Screw driver, middle
3	10131004	螺丝刀 (小)	1	----	Screw driver, small
4	30131010	内六角扳手 (3mm)	1	----	Inner wernch, 3mm
5	30131012	内六角扳手 (4mm)	1	----	Inner wernch, 4mm
6	20131047	内六角扳手 (5mm)	1	----	Inner wernch, 5mm
7	20131075	干燥剂	4	----	Desiccant
8	30131006	扳手 (8mm~10mm)	1	----	Spanner
9	40931025	扳手 (9mm-11mm)	1	----	Spanner
10	40931028	使用说明书、零件目录	1	----	Instruction manual & parts list
11	40931019	定位尺	1	----	Gauge
12	40931031	单盘线架	1	----	Thread stand asm
13	41017001	机针	4	----	Needle
14	20131054	脚踏板链	1	----	Chain
15	40931007	电机座	1	----	Motor pullfy asm
16	40931008	电机座垫	4	----	Spacer
17	40912024	针杆护罩	1	----	Needle bar guard
18	40931004	0-710型皮带	1	----	710 V-Belt
19	4091100100	钮扣盘组件	1	----	Button tray
20	20131037	油壶	1	----	Oil can
21	20131038	小油壶 (尖嘴)	1	----	Oil can
22	20131051	镊子	1	----	Tweezers
23	40931032	泡沫箱	1	----	Foam box
24	40931034	型号牌	1	----	Models of brand
25	20131063	警告牌	1	----	Warning sign
26	40931036	纸箱	1	----	hard paper case
27	20131062	机头塑料袋	1	----	plastic bag
28	20131077	20×15袋	1	----	plastic bag
29	20131078	32.5×7袋	1	----	plastic bag
30	20131079	8.5×12袋	1	----	plastic bag
31	40931003	电机皮带轮组件	1	----	Motion pulley
32	40931010	木螺钉4-2	3	----	wood screw
33	40931009	373 6*70螺钉	4	----	Screw
34	40931010	373 6*35螺钉	4	----	Screw
35	40931011	马车螺钉	4	----	Motion screw

11. 附件组件 ACCESSORY PARTS COMPONENTS



第十一部分 附件组件

序号	零件件号	名称	数量	同类编号	DESCRIPTION
1	10131002	螺丝刀（大）	1	-----	SCREW DRIVER LARGE
2	10131003	螺丝刀（中）	1	-----	SCREW DRIVER MIDDLE
3	10131004	螺丝刀（小）	1	-----	SCREW DRIVER SMALL
4	20131038	小油壶（尖嘴）	1	-----	OILER
5	40931019	定位尺	1	-----	GAUGE
6	30131010	内六角扳手（3mm）	1	-----	INNER WERNCH 3mm
7	30131012	内六角扳手（4mm）	1	-----	INNER WERNCH 4mm
8	20131047	内六角扳手（5mm）	1	-----	INNER WERNCH 5mm
9	30131006	扳手（8mm~10mm）	1	-----	Wrench 8mm~10mm
10	40931025	扳手（9mm-11mm）	1	-----	Wrench 9mm~11mm
11	41017004	TQ*7 16#机针	3	-----	NEEDLE TQ×7#16-12
12	10131005	机头罩	1	-----	MACHINE COVER
13	40931009	M6×70螺钉	4	-----	SCREW M6 L=70
14	40128013	垫圈6.2×13×1	4	-----	WASHER 6.2×13×1
15	W01018	垫圈10	4	-----	WASHER
16	N01007	螺母M6	4	-----	NUT M6
17	20131054	脚踏板链	1	-----	CHAIN
18	20131051	镊子	1	-----	TWEEZERS
19	S10010	螺钉M5X10	1	-----	SCREW M5 L=10
20	40931003	电机飞轮	1	-----	MOTOR PULLEY (FOR 50HZ)
21	40931007	电机座	2	-----	MOTOR BASE
22	40931008	电机座垫	4	-----	MOTOR BASE CUSHION
23	40931028	说明书	1	-----	INSTRUCTION MANUAL & PARTS LIST
24	40931004	710型皮带	1	-----	BELT
25	40311002	支撑棒	1	-----	SUPPORT
26	40931011	马达螺钉	3	-----	MOTOR SCREW
27	401S16018	马达固定螺母M8	3	-----	NUT M8